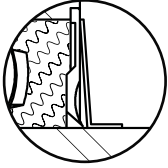


# UCF200 L4L SERIES

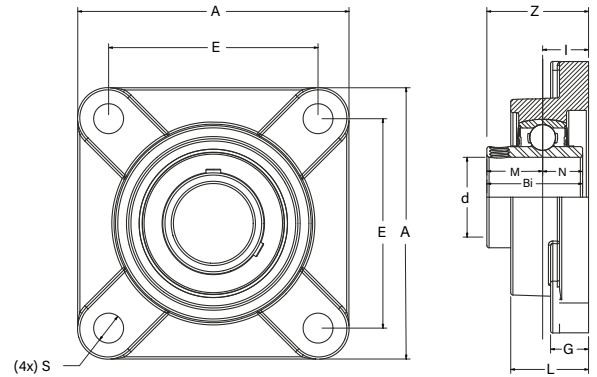
Normal-Duty 4-Bolt Flange Block  
Setscrew Lock



Features:



**Permanent Lubrication**  
Standard with seals and flinger



Bearing Number	Shaft Dia. d in. mm.	Dimensions in. mm.										Bolt Used in. mm.	Load Rating lbs. kN.		Bearing Insert	Housing Number	Weight lbs. kg.
		A	E	I	G	L	S	Z	Bi	N	M		Dynamic Cr	Static Cor			
UCWF201 L4L	12	3.00 76.0	2.13 54.0	0.59 15.0	0.44 11.0	1.00 25.5	0.44 11.0	1.22 30.9	1.0787 27.4	0.3937 10.0	0.6260 15.9	3/8 M10	2,147 9.55	1,075 4.78	UCW201 L4L	WF203 L4L	1.3 0.6
UCWF201 8 L4L	1/2														UCW201 8 L4L		
UCWF202 L4L	15														UCW202 L4L		
UCWF202 10 L4L	5/8														UCW202 10 L4L		
UCWF203 L4L	17	3.38 86.0	2.50 63.5	0.59 15.0	0.47 12.0	1.00 25.5	0.44 11.0	1.31 33.3	1.2205 31.0	0.5000 12.7	0.7205 18.3	3/8 M10	2,883 12.82	1,496 6.65	UCW203 L4L	F204 L4L	1.8 0.8
UCF204 12 L4L	3/4														UC204 12 L4L		
UCF204 L4L	20														UC204 L4L		
UCF205 14 L4L	7/8														UC205 14 L4L		
UCF205 15 L4L	15/16	3.75 95.0	2.75 69.9	0.63 16.0	0.56 14.0	1.06 27.0	0.47 12.0	1.41 35.8	1.3425 34.1	0.5630 14.3	0.7795 19.8	7/16 M10	3,155 14.04	1,810 8.05	UC205 15 L4L	F205 L4L	2.4 1.1
UCF205 L4L	25														UC205 L4L		
UCF205 16 L4L	1														UC205 16 L4L		
UCF206 17 L4L	11/16														UC206 17 L4L		
UCF206 18 L4L	11/8	4.25 108.0	3.25 82.6	0.71 18.0	0.56 14.0	1.22 31.0	0.47 12.0	1.56 40.2	1.5000 38.1	0.6260 15.9	0.8740 22.2	7/16 M10	4,377 19.47	2,569 11.43	UC206 18 L4L	F206 L4L	3.1 1.4
UCF206 L4L	30														UC206 L4L		
UCF206 19 L4L	13/16														UC206 19 L4L		
UCF206 20 L4L	11/4														UC206 20 L4L		
UCF207 20 L4L	11/4	4.61 117.0	3.63 92.1	0.75 19.0	0.63 16.0	1.34 34.0	0.55 14.0	1.75 44.4	1.6890 42.9	0.6890 17.5	1.0000 25.4	1/2 M12	5,775 25.69	3,497 15.56	UC207 20 L4L	F207 L4L	4.6 2.1
UCF207 21 L4L	15/16														UC207 21 L4L		
UCF207 22 L4L	13/8														UC207 22 L4L		
UCF207 L4L	35														UC207 L4L		
UCF207 23 L4L	17/16	5.13 130.0	4.00 101.6	0.82 21.0	0.63 16.0	1.44 36.0	0.55 14.0	2.00 51.2	1.9370 49.2	0.7480 19.0	1.1890 30.2	1/2 M12	6,634 29.51	4,079 18.14	UC207 23 L4L	F208 L4L	5.5 2.5
UCF208 24 L4L	11/2														UC208 24 L4L		
UCF208 25 L4L	19/16														UC208 25 L4L		
UCF208 L4L	40														UC208 L4L		
UCF209 26 L4L	15/8	5.38 137.0	4.13 104.8	0.88 22.0	0.71 18.0	1.50 38.0	0.63 16.0	2.06 52.2	1.9370 49.2	0.7480 19.0	1.1890 30.2	9/16 M14	7,160 31.85	4,676 20.80	UC209 26 L4L	F209 L4L	6.8 3.1
UCF209 27 L4L	111/16														UC209 27 L4L		
UCF209 28 L4L	13/4														UC209 28 L4L		
UCF209 L4L	45														UC209 L4L		
UCF210 30 L4L	17/8	5.63 143.0	4.38 111.1	0.88 22.0	0.71 18.0	1.56 40.0	0.63 16.0	2.13 54.6	2.0315 51.6	0.7480 19.0	1.2835 32.6	9/16 M14	7,867 35.00	5,330 23.71	UC210 30 L4L	F210 L4L	7.5 3.4
UCF210 31 L4L	115/16														UC210 31 L4L		
UCF210 L4L	50														UC210 L4L		
UCF210 32 L4L	2														UC210 32 L4L		
UCF211 32 L4L	2	6.38 162.0	5.13 130.2	0.98 25.0	0.79 20.0	1.69 43.0	0.69 17.0	2.31 58.4	2.1890 55.6	0.8740 22.2	1.3150 33.4	5/8 M16	9,743 43.34	6,608 29.40	UC211 32 L4L	F211 L4L	10.1 4.6
UCF211 34 L4L	2 1/8														UC211 34 L4L		
UCF211 L4L	55														UC211 L4L		
UCF211 35 L4L	2 3/16														UC211 35 L4L		
UCF212 36 L4L	2 1/4	6.88 175.0	5.63 142.9	1.13 29.0	0.79 20.0	1.88 48.0	0.69 17.0	2.69 68.7	2.5630 65.1	1.0000 25.4	1.5630 39.7	5/8 M16	10,720 47.69	7,516 33.43	UC212 36 L4L	ZZF212 L4L	12.5 5.7
UCF212 L4L	60														UC212 L4L		
UCF212 38 L4L	2 3/8														UC212 38 L4L		
UCF212 39 L4L	2 7/16														UC212 39 L4L		
UCF213 40 L4L	2 1/2	7.38 187.0	5.88 149.2	1.18 30.0	0.88 22.0	1.97 50.0	0.69 17.0	2.75 69.7	2.5630 65.1	1.0000 25.4	1.5630 39.7	5/8 M16	12,859 57.20	8,994 40.01	UC213 40 L4L	F213 L4L	15.6 7.1
UCF213 L4L	65														UC213 L4L		
UCF214 43 L4L	2 11/16														UC214 43 L4L		
UCF214 44 L4L	2 3/4														UC214 44 L4L		
UCF214 L4L	70	7.63 193.0	6.00 152.4	1.22 31.0	0.88 22.0	2.13 54.0	0.79 20.0	2.96 75.4	2.9370 74.6	1.1890 30.2	1.7480 44.4	3/4 M18	13,981 62.19	9,869 43.90	UC214 L4L	F214 L4L	16.7 7.6
UCF215 47 L4L	2 15/16														UC215 47 L4L		
UCF215 L4L	75														UC215 L4L		
UCF215 48 L4L	3														UC215 48 L4L		

\*Listed bearings will need an L4L suffix for proper ordering. Example: UCP205 16 L4L.